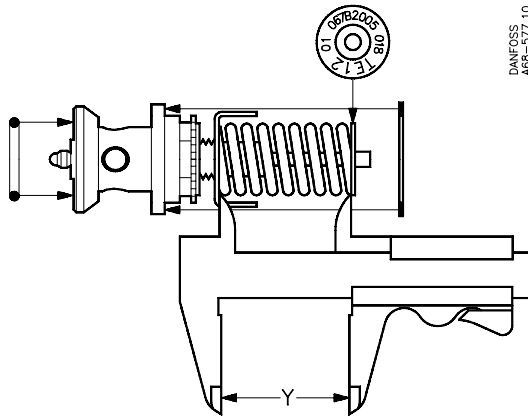


067R9501

067R9501



Orifice no.	Orifice code no.	Y = ±1 mm				
		R 12	R 22	R 134a	R 404A	R 502
01	067B2005	36	35	35	36	32
02	067B2006	36	35	35	36	32
03	067B2007	36	35	35	36	32
04	067B2008	36	35	35	36	32